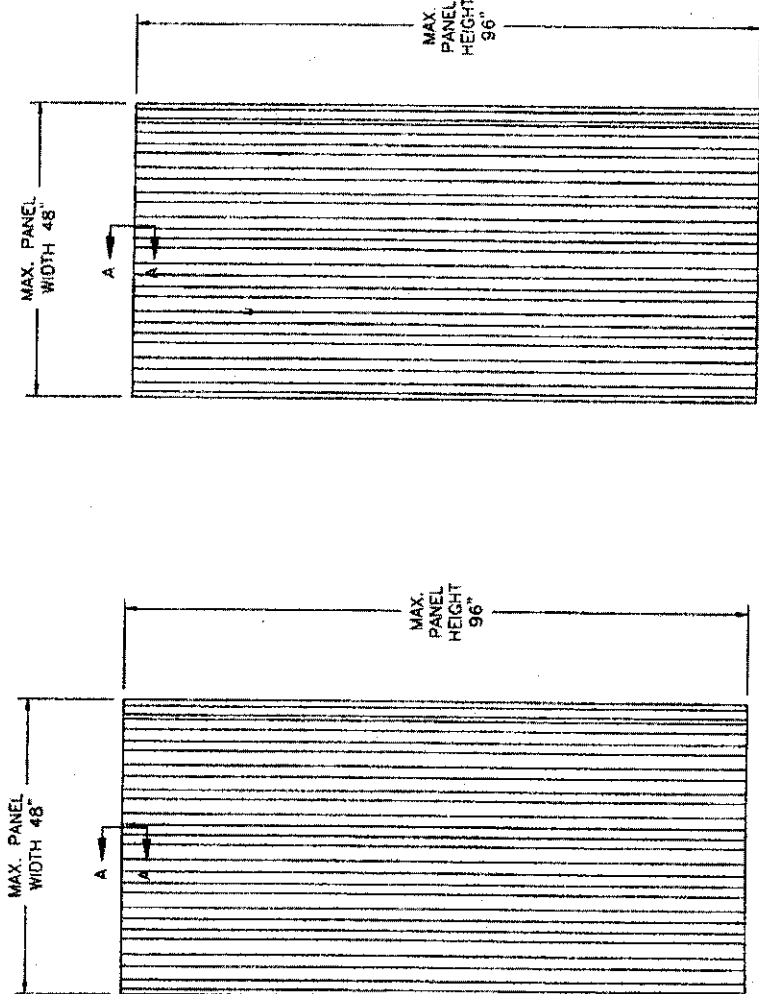


- NOTES:
1. THE PRODUCT SHOWN HEREIN IS DESIGNED AND MANUFACTURED TO COMPLY WITH THE 2004 FLORIDA BUILDING CODE AND THE INTERNATIONAL BUILDING CODE.
 2. PANELS SHALL BE FASTENED ACCORDING TO FASTENER MANUFACTURERS INSTALLATION SPECIFICATIONS AND AS SHOWN HEREIN.
 3. PANEL FRAME MATERIAL: POLYCARBONATE 16MM AND 25MM.
 4. MAXIMUM PANEL SIZE: 48" X 96"
 5. TOP AND BOTTOM DETAILS SHOWN MAY BE INTERCHANGED AS FIELD CONDITIONS DICTATE PANELS MAY BE MOUNTED HORIZONTALLY WHERE APPLICABLE.
 6. RECOMMENDED SEPARATION 1" BETWEEN PRODUCT AND EXISTING GLASS.

TABLE OF CONTENTS	
SHEETS	SHEET DESCRIPTION
1	ELEVATION & NOTES
2	ANCHORING & NOTES
3	INSTALLATION DETAILS IN CONCRETE/MASONRY
4	INSTALLATION DETAILS IN WOOD FRAME
5	COMPONENTS & B.O.M.



EXTERIOR ELEVATION
25MM

MAXIMUM ALLOWABLE
DESIGN PRESSURE
±80.0 PSF

EXTERIOR ELEVATION
16MM

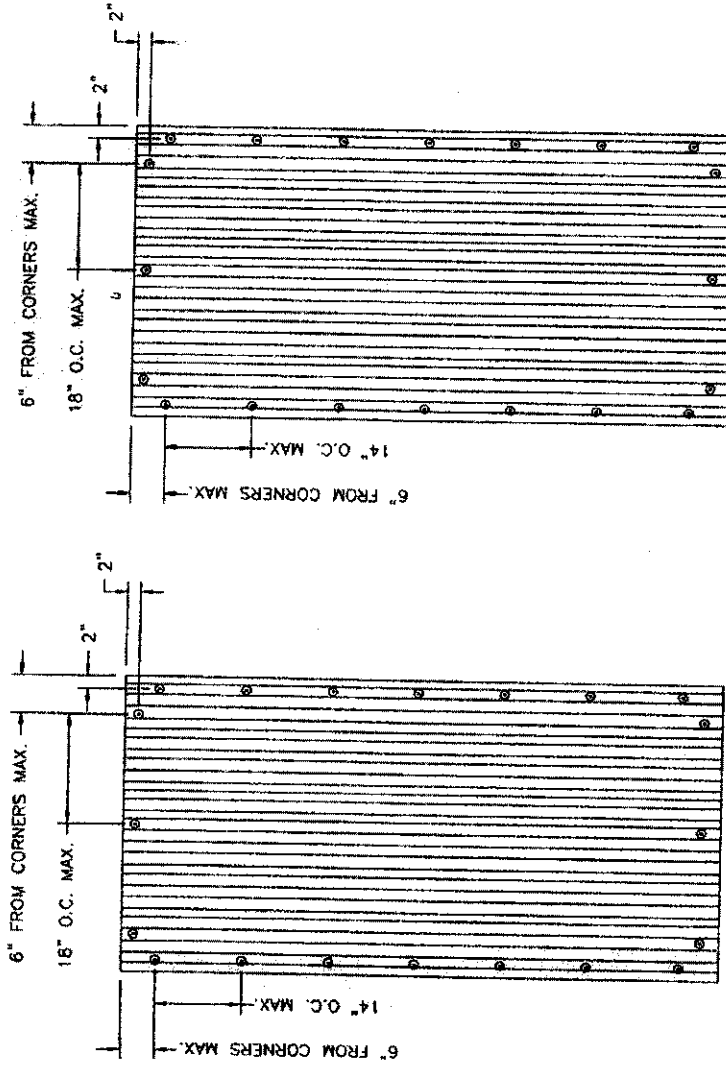
MAXIMUM ALLOWABLE
DESIGN PRESSURE
±60.0 PSF

Luis R. Lomas P.E.
Florida No. 62914
Luis R. Lomas
9/21/06
PTC Engineering, Inc.
235 S.E. Seaford Lane
P.O. Box 14652
Fort Lauderdale, Florida 33315
Firm Certificate of Authorization No. 21935

DOTT GALLINA s.r.l.
Str. Carignano 104
10040 La Loggia - Italy
TITLE: 16 & 25 MM HURRICANE STORM PANEL RDC
ELEVATION & NOTES
PREPARED BY: JRM
DATE: 9/21/06
SCALE: NTS
DWG. NO: GAL-0007
REV: -
SHEET: 1 OF 5
PTC ENGINEERING, INC.
Phone 772.398.4839 Fax 772.398.4854

SYN	REVISION	DATE

- ANCHORING NOTES:
1. LOCATE ANCHORS AS FOLLOWS:
 AT SHORTER SIDE: 6" MAXIMUM FROM EACH CORNER AND 18" MAXIMUM ON CENTER THEREAFTER.
 AT LONGER SIDE: 6" MAXIMUM FROM EACH CORNER AND 14" MAXIMUM ON CENTER THEREAFTER.
 2. ALL BOLTS AND WASHERS SHALL BE GALVANIZED OR STAINLESS STEEL WITH A MINIMUM TENSILE STRENGTH OF 60 K.S.I., UNLESS OTHERWISE SPECIFIED.
 3. WHEN ANCHORING INTO MASONRY SUBSTRATE A MINIMUM EDGE DISTANCE OF 2" MUST BE MAINTAINED.



ANCHOR ELEVATION
16MM

ANCHOR ELEVATION
25MM

Luis R. Lomas P.E.
 Florida No. B2514
Luis R. Lomas
 9/21/06

PTC Engineering, Inc.
 2361 S.W. Seelye Lane
 Port St. Lucie, FL 34952
 P.E. Certificate of Authorization No. 129935

DOTT GALLINA S.r.l.
 Str. Corgrana 104
 10040 La Loggia - Italy

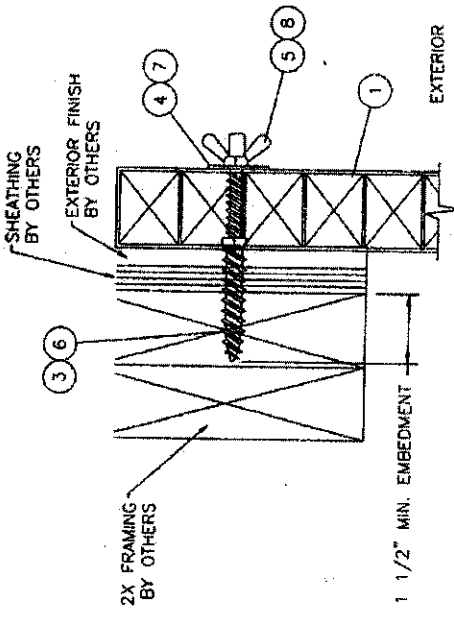
16 & 25 MM HURRICANE STORM PANEL RDC
 ANCHORING ELEVATION & NOTES

PREPARED BY: IRM
 SCALE: NTS
 DATE: 9/21/06
 DWG. NO.: GAL-0007
 REV: -
 SHEET: 2 OF 5

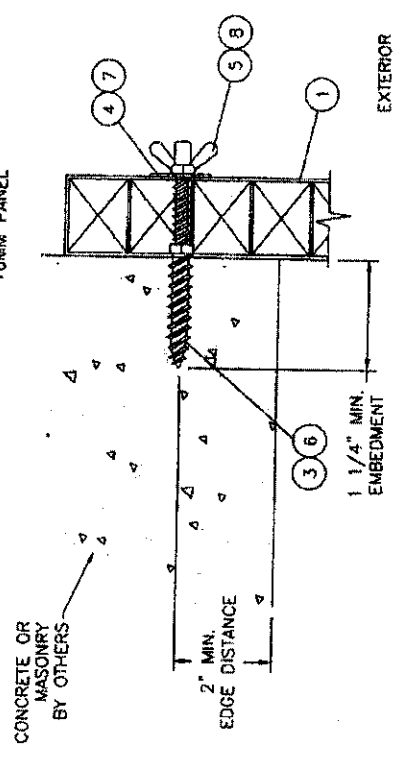
Phone 772.308.4938 Fax 772.308.4654

PTC
 PTC ENGINEERING, INC.

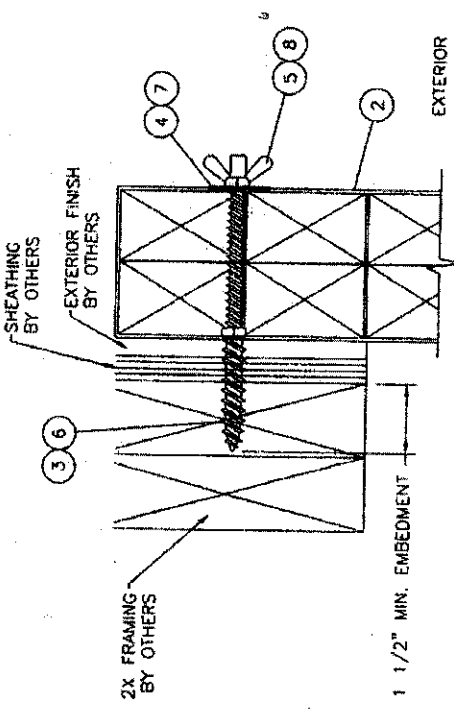
SYN	REVISION	DATE	BY



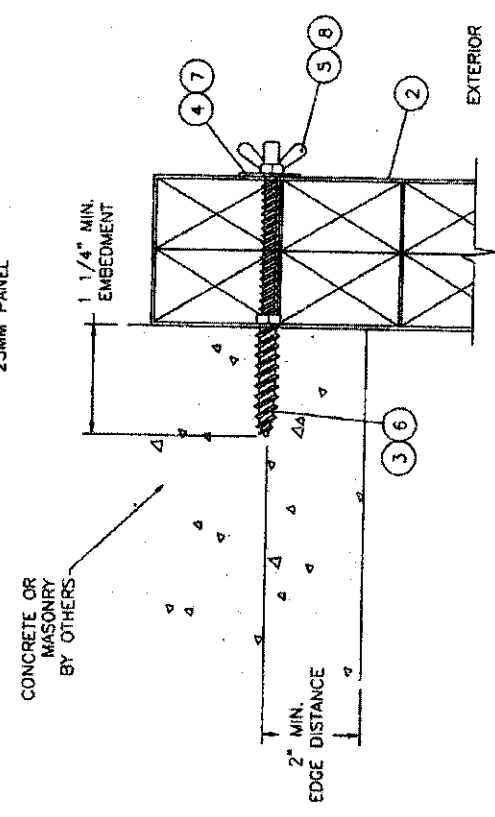
SECTION A-A
WOOD FRAMING INSTALLATION
16MM PANEL



SECTION A-A
MASONRY INSTALLATION
16MM PANEL



SECTION A-A
WOOD FRAMING INSTALLATION
25MM PANEL



SECTION A-A
MASONRY INSTALLATION
25MM PANEL

Luis R. Lombardi P.E.
Florida No. 62514
Luis R. Lombardi
9/21/06

PTC Engineering, Inc.
2361 S.E. Seaboard Lane
Fort MS, Jacksonville, FL 32225
Professional Engineer No. 73895

DESIGNED BY: JRM
SCALE: NTS
REV: -

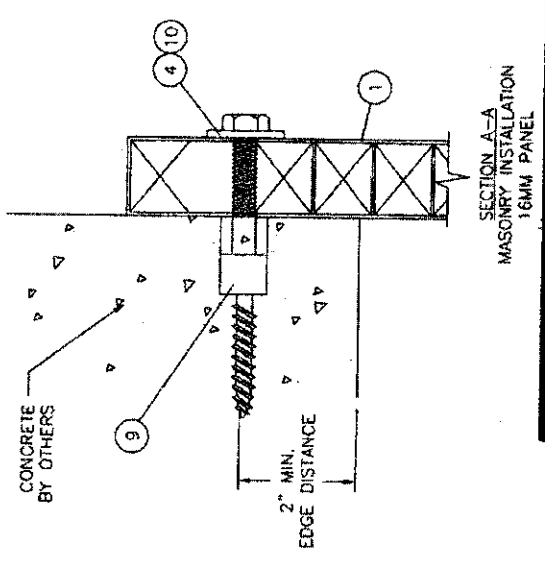
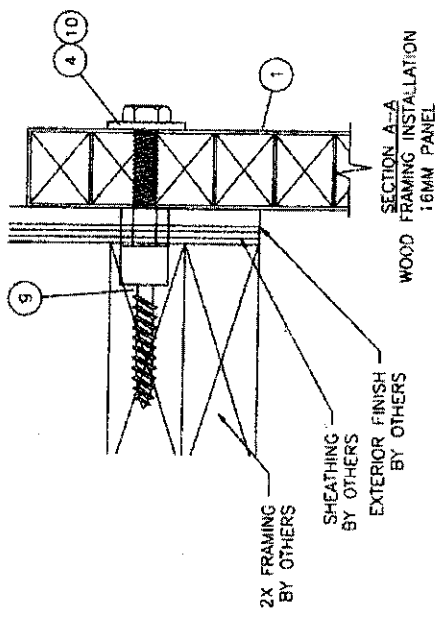
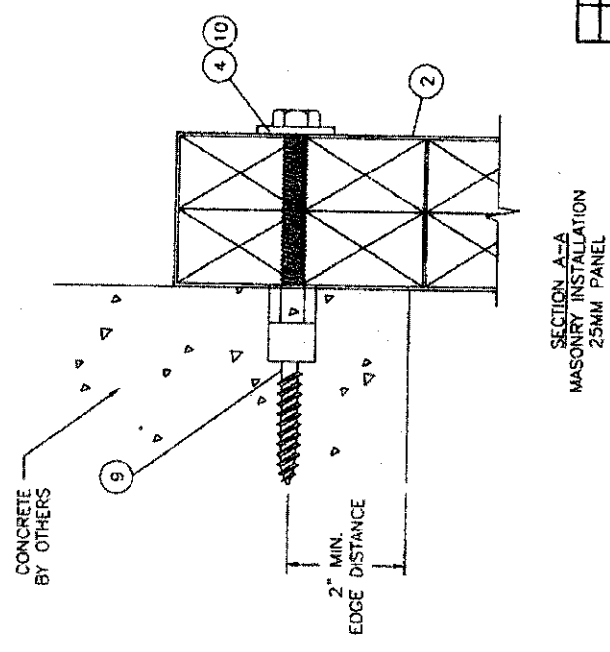
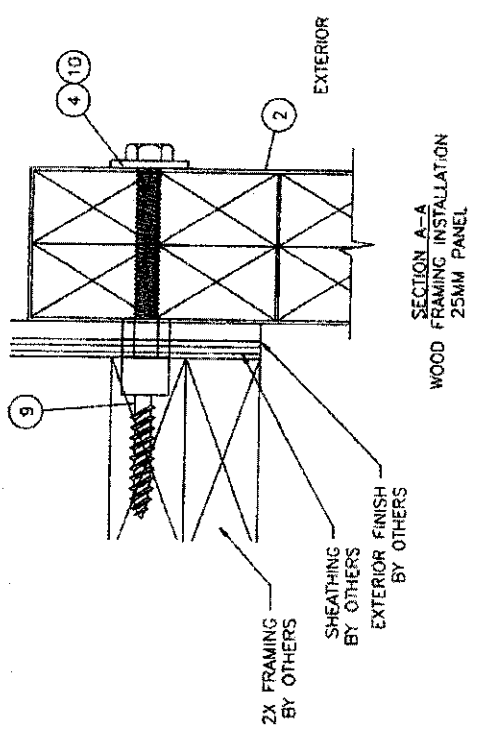
DATE: 9/21/06
DWG. NO.: GAL-0007
SHEET: 3 OF 5

PROJECT: 16 & 25 MM HURRICANE STORM PANEL RDC
INSTALLATION DETAILS

PREPARED BY: **PTE**
PTC ENGINEERING, INC.
Phone: 772.398.4439 Fax: 772.398.4854

OWNER: DOTT GALLINA s.r.l.
Sic. Carignano 104
10040 La Loggia - Italy

SYM	REVISION	DATE	BY



Luis R. Lomas, P.E.
Florida No. 62514

Luis R. Lomas
9/21/08

PTC Engineering, Inc.
2361 S.E. Seafury Lane
Port St. Lucie, FL 34952
F943 Certificate of Authorization No. 25935

DOIT GALLINA s.r.l.
Str. Carignano 104
10040 La Loggia - Italy

PREPARED BY: JRM
SCALE: NTS
REV: -

DATE: 9/21/08
DWG. NO.: GAL-0007
SHEET: 4 OF 5

TITLE: 16 & 25 MM HURRICANE STORM PANEL RDC
INSTALLATION DETAILS

772.388.4639 Fax 772.388.4654

SYM	REVISION	DATE	BY

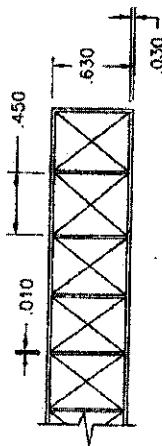
BILL OF MATERIALS

ITEM #	PART #	DESCRIPTION
1	2161	16 MM POLYCARBONATE STORM PANEL
2	2151	25 MM POLYCARBONATE STORM PANEL
3	PURCHASE	1/4" PANEL MATE MALE FASTENER (TEXTRON)
4	PURCHASE	1/4" STEEL WASHER
5	PURCHASE	1/4-20 STEEL WINGNUT
6	PURCHASE	1/4" TAPCON SG (ITW BUILDEX)
7	PURCHASE	1/4" EPDM WASHER
8	PURCHASE	1/4-20 ZAMAC NICKEL PLATED WASHERED WINGNUT
9	PURCHASE	1/4" PANEL MATE FEMALE FASTENER (TEXTRON)
10	PURCHASE	1/4-20 ANCHOR BOLT HH STEEL

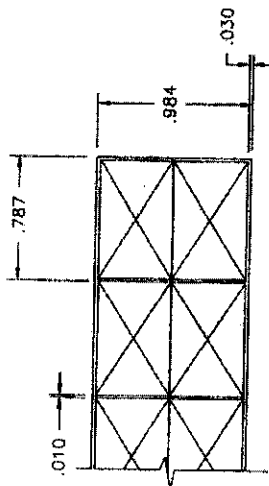
NOTES:

- 1) ITEM 6 IS AN ALTERNATE FOR ITEM 3
- 2) ITEM 7 IS AN ALTERNATE FOR ITEM 4
- 3) ITEM 8 IS AN ALTERNATE FOR ITEM 5

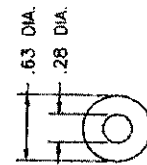
① 16MM PANEL
EXTERIOR WALLS THICKNESS 0.030
INTERIOR FLUTED WALLS THICKNESS 0.010



② 25MM PANEL
EXTERIOR WALLS THICKNESS 0.030
INTERIOR FLUTED WALLS THICKNESS 0.010



⑦ 1/4" WASHER
EPDM (1/16" THICK MIN.)



⑧ 1/4-20 ZAMAC
NICKEL PLATED
WASHERED WINGNUT



③ 1/4" PANEL MATE (TEXTRON)
⑥ 1/4" TAPCON SG (ITW BUILDEX)



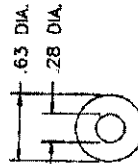
⑨ 1/4" PANEL MATE FEMALE (TEXTRON)



⑤ 1/4"-20 WING NUT
STEEL



④ 1/4" WASHER
STEEL (1/16" THICK)



Luis R. Lomitas P.E.
Florida Reg. 67614

Luis R. Lomitas
PTC Engineering, Inc.
2361 S.E. Safety Lane
Plant City, FL 33522
Professional Registration No. 22925

PREPARED BY: JRM
SCALE: NTS
DATE: 9/21/06
DWS: NTS
REV: GAL-0007
SHEET: 5 OF 5

DOTT GALLINA s.r.l.
Str. Carignano 104
10040 La Loggia - Italy
16 & 25 MM HURRICANE STORM PANEL RDC
COMPONENTS AND B.O.M.

SYM	DATE	BY	REVISION